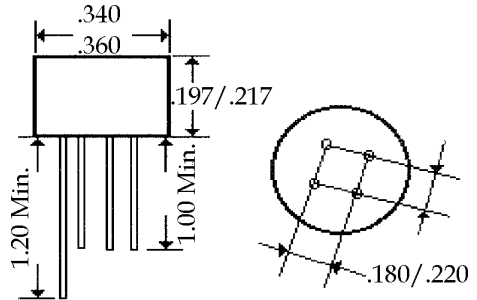


2.0 Amp SINGLE PHASE SILICON BRIDGE Mechanical Dimensions

2W005 . . . 10 Series



(Dimensions in inches)

Mechanical Data: Mounting Position - Any.
Weight - 1.1 Grams.

Features

- **COMPACT SIZE**
- **200 AMP SURGE OVERLOAD RATING**
- **LOW LEAKAGE CURRENT**
- **MEETS UL SPECIFICATION 94V-0**

2W005 . . . 10 Series								Units
Maximum Ratings	2W005	2W01	2W02	2W04	2W06	2W08	2W10	
Peak Repetitive Reverse Voltage... V_{RRM}	50	100	200	400	600	800	1000	Volts
RMS Reverse Voltage... $V_{R(rms)}$	35	70	140	280	420	560	700	Volts
DC Blocking Voltage... V_{DC}	50	100	200	400	600	800	1000	Volts
Average Forward Rectified Current... $I_{F(av)}$ $T_A = 25^\circ C$			2.0			Amps
Non-Repetitive Peak Forward Surge Current... I_{FSM} 8.3 ms Single 1/2 Sine Wave Imposed on Rated Load			60			Amps
Operating & Storage Temperature Range... T_J, T_{STRG}			-55 to 125			°C
Electrical Characteristics								
Maximum Forward Voltage... V_F Per Bridge Element @ 2.0 Amps			1.0			Volts
Maximum DC Reverse Current Per Bridge Element... I_R @ Rated DC Blocking Voltage			10			μAmps mAmps
			1.0			